

P.O.M. LOCK RETROFIT (PART NO. F-72029R)
INSTALLATION INSTRUCTIONS

1. To install the retrofit retainer, measure over 1-1/2" from the edge of door (handle side) and mark frame above the door. (Figure # 70)
2. Place template provided on frame as illustrated with the right edge of the template on the mark you made on the frame. (Figure #71)
3. Mark the frame through the 5 holes on the template with a pencil. Remove template and center punch the marks on the frame.
4. Drill the 4 outboard holes with an 11/64" drill and the center hole with a 5/8" drill. Deburr holes.
5. Place retrofit retainer bracket over the holes with rectangular notch out. Use no. 10-32 x 5/16" screws provided and mount retainer bracket to frame.
6. Insert P.O.M. Lock into access plate and turn key as arrow shows, to lock. (Figure #66-66a)
7. Remove key.
8. To remove P.O.M. Lock, insert key into square lock hole and turn the key in the opposite direction that the arrow points (clockwise).

FIGURE NO. 70

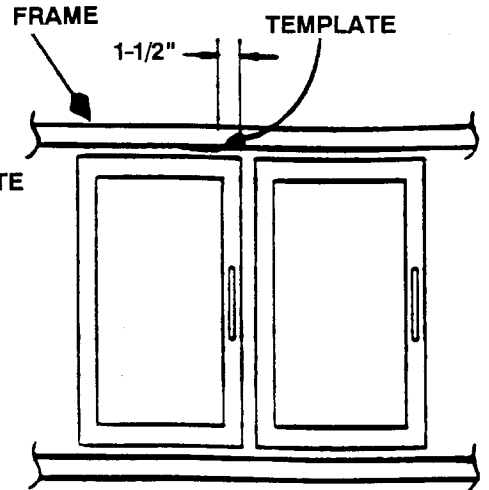
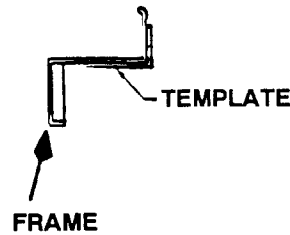


FIGURE NO. 71



P.O.M. LOCK

LOCK ACCESS HOLES

FIGURE NO. 66A

