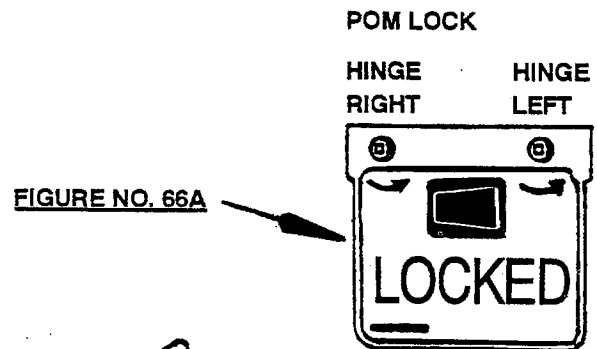
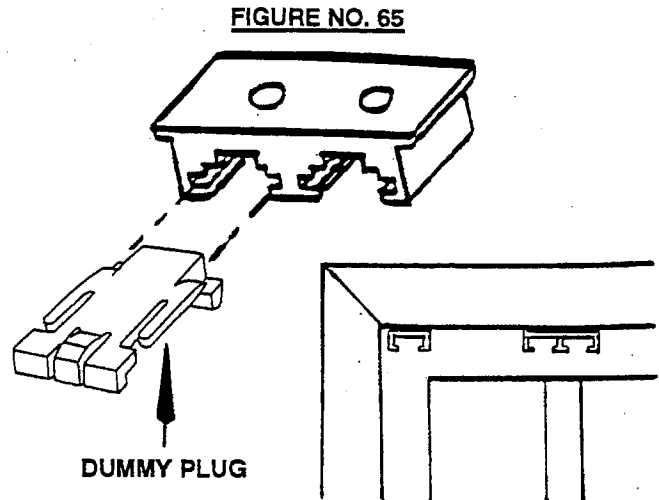
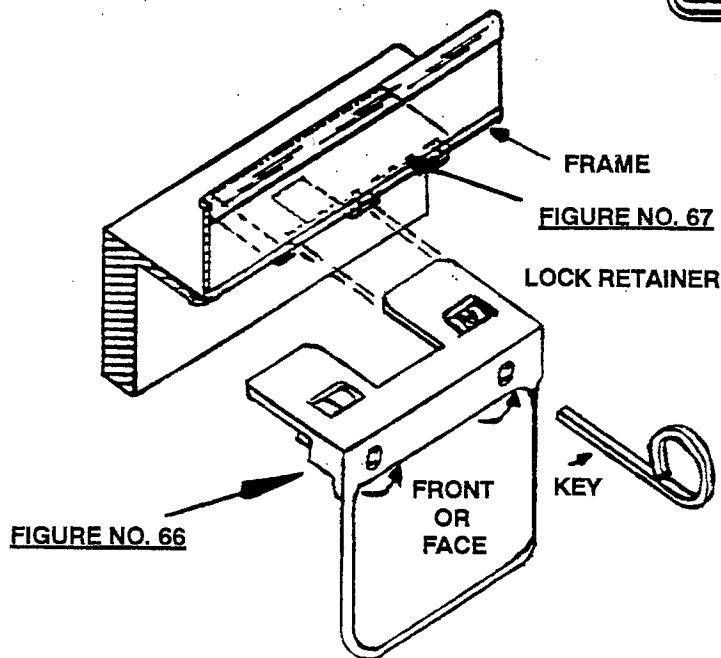
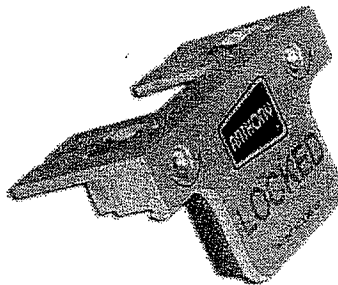


**P.O.M. LOCK (PART NO. F-72029)**  
**INSTALLATION INSTRUCTIONS**

1. Remove dummy plug from hinge pin access plate on top of frame on handle side of door. (Figure #65)
2. The P.O.M. Lock (Figure #66 and 66a) inserts into hinge pin access plate (Figure # 67) as shown.
3. Insert key into P.O.M. Lock square key hole, then turn key as arrow shows to lock (counter-clockwise).
4. Remove key.
5. To remove P.O.M. Lock, insert key into square key hole and turn the key the opposite way the arrow points (clockwise).
6. To remove lock, pull lock straight out.
7. Replace dummy plug.
8. Lock only side that inserts into hinge pin access plate.
9. With the front of the P.O.M. Lock facing you, the lock on your right side is for left hinged doors and the lock on your left side is for right hinged doors.
10. The P.O.M. Lock will always install in the frame over the top of handle rail side of door.
11. For retro-fitting the P.O.M. Lock on existing doors in the field, contact Anthony Customer Service or the local Sales Representative in your area for information and instruction sheets.



**POM Lock**



POM Lock

**A71** Item No: 02-11585-0003

Price \$50.01 each